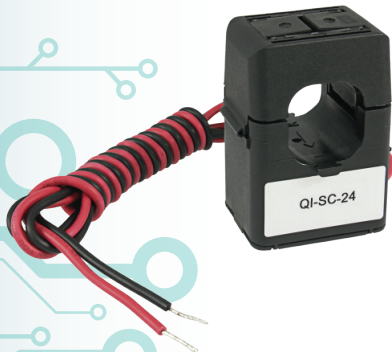


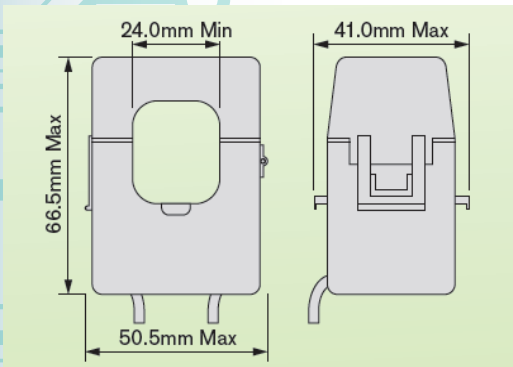


SPLIT CORE CURRENT TRANSFORMERS **QI-SC-24/36**



QI-SC-24-xxx/5

Split Core measuring current transformer
Ranges: 100 to 300A (5A Secondary, 1A available upon request)
Busbar window : 24mm
Secondary terminals : 1 mt cable integrated (18AWG Red and Black lead wire)
Standard : IEC60044-1
Rated Voltage : 0,66kV
Isolation Voltage: 2kV
Rated Frequency : 50/60 Hz
Operating Temperature : -15°C...45°C



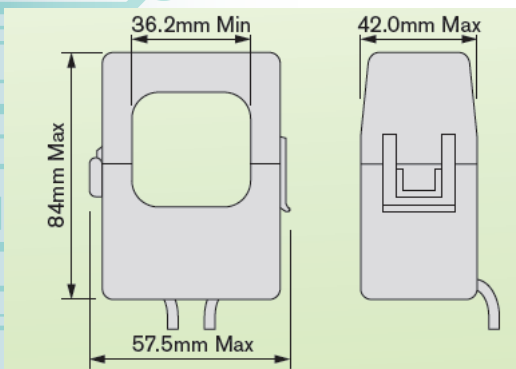
Primary Current	Overload	Accuracy 5-120%	Order code
100 A	160 A	≤1.5%	QI-SC-24-100/5
200 A	320 A	≤1%	QI-SC-24-200/5
300 A	500 A	≤1%	QI-SC-24-300/5

SPLIT CORE CURRENT TRANSFORMERS **QI-SC-24/36**



QI-SC-36-xxx/5

Split Core measuring current transformer
Ranges: 300 to 600A (5A Secondary, 1A available upon request)
Busbar window : 36mm
Secondary terminals : 1 mt cable integrated (18AWG Red and Black lead wire)
Standard : IEC60044-1
Rated Voltage : 0,66kV
Isolation Voltage: 2kV
Rated Frequency : 50/60 Hz
Operating Temperature : -15°C...45°C



Primary Current	Overload	Accuracy 5-120%	Order code
300 A	540 A	≤0.5%	QI-SC-36-300/5
400 A	720 A	≤0.5%	QI-SC-36-400/5
600 A	960 A	≤0.5%	QI-SC-36-600/5

