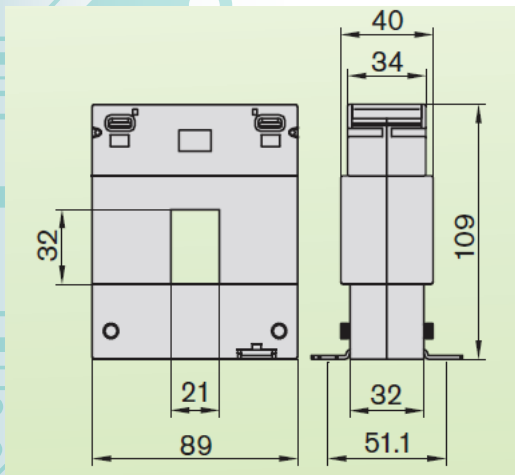




SPLIT CORE CURRENT TRANSFORMERS **QI-SC-DBP**



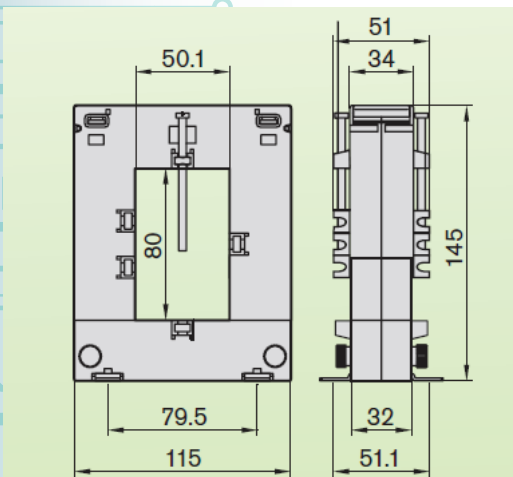
Split Core measuring current transformer
 Ranges: 100 to 400A (5A Secondary, 1A available upon request)
 Busbar window : 20 x 30mm
 Secondary terminals : Dual M4 Screws
 Built-in Terminal covers
 Housing Material Self extinguishing Nylon IEC185 classification VO according to UL-94
 Weight : 0.75Kg



Primary Current	Cl. 0,5	Cl. 1	Cl. 3	Order code
100 A	-	-	1,5	QI-SC-DBP23-100/5
200 A	-	1,5	2,5	QI-SC-DBP23-200/5
300 A	1,5	4	6	QI-SC-DBP23-300/5
400 A	2,5	6	10	QI-SC-DBP23-400/5



Split Core measuring current transformer
 Primary Current: 250 to 1000A
 Secondary Ratios: 5A (1A available upon request)
 Busbar window : 50 x 80mm
 Accuracy class :- cl.0,5 - 1 - 3
 Secondary terminals : Dual M4 Screws
 Built-in Terminal covers
 Housing Material Self extinguishing Nylon IEC185 classification VO according to UL-94
 Weight : 0.90Kg
 Dimensions : H=145mm, x W=115mm, D=51mm



Primary Current	Cl. 0,5	Cl. 1	Cl. 3	Order code
400 A	1,5	3	10	QI-SC-DBP58-400/5
500 A	2,5	5	15	QI-SC-DBP58-500/5
600 A	2,5	5	15	QI-SC-DBP58-600/5
800 A	3	7,5	20	QI-SC-DBP58-800/5
1000 A	5	10	20	QI-SC-DBP58-1000/5

SPLIT CORE CURRENT TRANSFORMERS **QI-SC-DBP**

